



Albany UltraFast

Speed up productivity and savings

www.albanydoors.us



Wireless

No wires or coil cords, eliminating unnecessary maintenance.

Fast opening and closing speeds

Opens in seconds, improving operations and traffic flow, while limiting air infiltration and lowering energy costs.

Tight sealing

Weather-tight sealing around full door perimeter reduces energy loss and keeps out dust, dirt and outdoor elements.

Heavy duty wind ribs

Resists high winds to keep door intact in adverse conditions.

SAVE ON ENERGY

SPEED PRODUCTIVITY

The Albany UltraFast delivers high speeds of up to 60" per second and a superior design for optimal productivity, reliability and safety.

Fast speeds and a true breakaway bottom beam provides efficiency for high traffic areas. High windload resistance and tight seals provide protection for exterior applications. From Entrematic, the global leader in door opening solutions, the Albany UltraFast saves on energy costs, increases productivity and keeps workers safe.

High speeds, low maintenance

Suited for a range of applications, the Albany UltraFast is the cost-efficient solution for busy areas that require tightly-sealed separation from outdoor conditions, or from other sections of a facility.

- Opening speeds of up to 60" per second plus an option that boosts speed up to 100" per second.
- Breakaway bottom beam automatically resets itself after impact, saving on energy and maintenance costs, while maintaining the flow of operations.

Protection for exterior applications

Wind rib reinforcement and strong polyurethane weather seals allow the Albany UltraFast to hold up against exterior conditions without limiting fast speeds.

- Double weather seals run along the side frames, and along the front and back of the header for a smooth, tight seal around the entire frame of the door.
- Heavy-duty wind ribs are secured within the side frames for additional wind resistance.

Keep workers safe

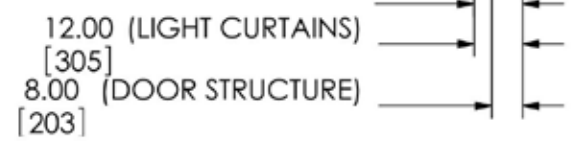
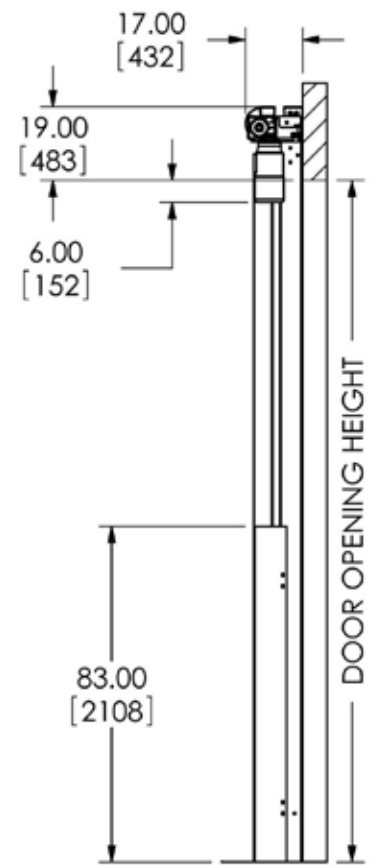
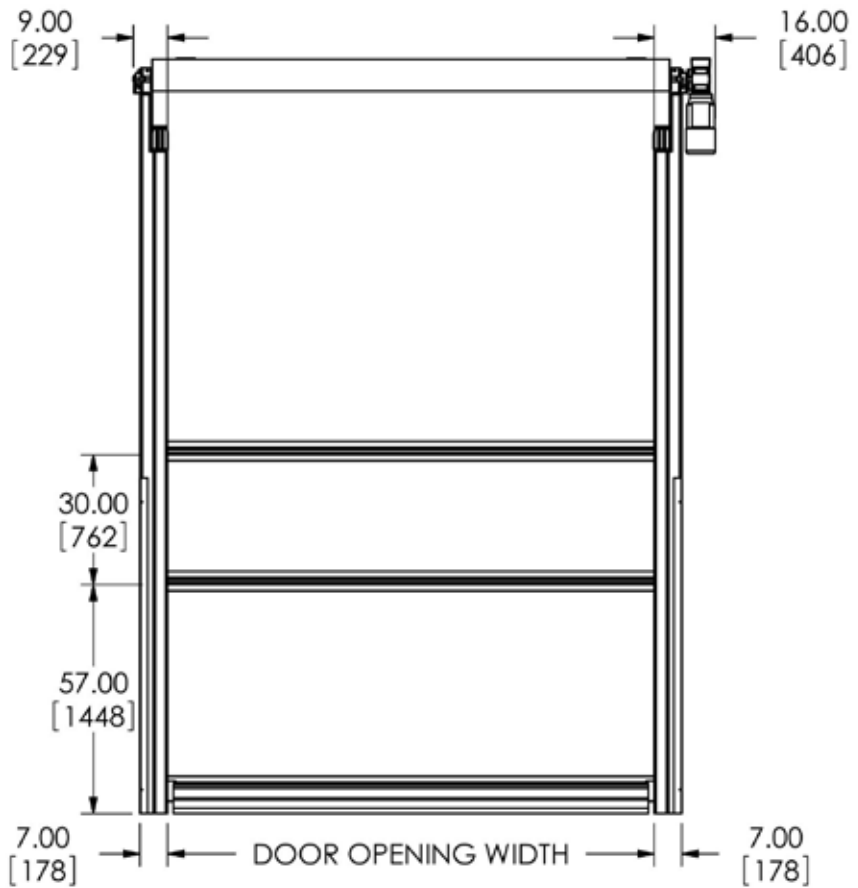
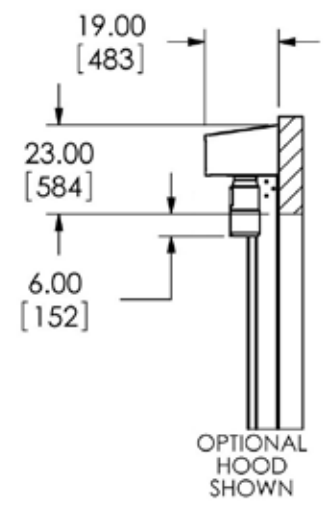
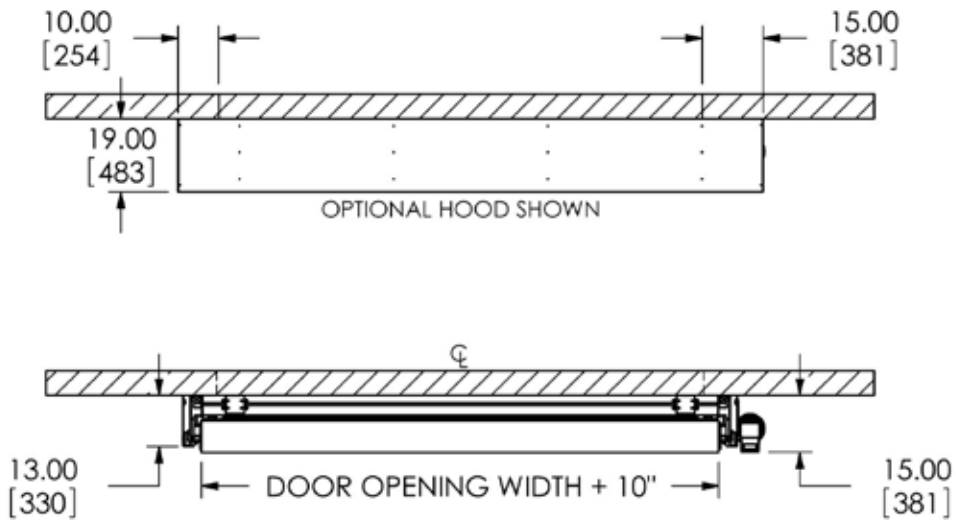
Smart design and reliable safety features help reduce lost-time accidents, and protect workers and equipment.

- Wireless Safety System eliminates coil cords, and the high maintenance costs and lengthy down time associated with them.
- Optional Safety Light Curtains provide a 6-foot high grid of infrared beams across the doorway. If that grid is interrupted, the door will automatically reverse to the open position.
- Optional Egress Safety System is an easily accessible brake release that automatically raises the door in case of a power outage or other emergency.

Lower total costs of ownership

The Albany UltraFast adds considerable value to your top and bottom line. You'll improve workflow, enhance safety, and save on energy and maintenance costs.





Technical information

Opening and closing speeds

Opening up to	60" per second
Closing up to	24" per second

Door dimensions

Max Height	16 ft. (4,876 mm)
Max Width	16 ft. (4,876 mm)
Min Height	7 ft. (2,133 mm)
Min Width	3 ft. (914 mm)

Safety features

Photo Eye	Standard
Safety Light curtain	Full through-beam light curtain up to six feet tall
Wireless Safety System	No coil cords
Bottom Beam	Padded, soft bottom bar has fail-safe electric safety edge
Egress Safety System	Break release raises door during power outage

Door panel

Rolltex™	Premium Option-Manufactured by ASSA ABLOY for the Albany brand
2-ply	Woven monofilament polyester PVC impregnated panel material.
Vinyl	Optional - 40 oz replaceable panel material.
Full Width Vision Panel	Full door width x 30" high PVC vision panel.
Windows	Optional - 17" x 17" PVC windows.
Full Width Screen Panel	Optional.

Door components

Side Frames	Self-supporting 5" x 6" aluminum side frames
Breakaway Auto-Reset System	Door automatically resets after impact
Sealing	Double weather seals on top frame and side frames
Covers	Optional - top roll and motor covers

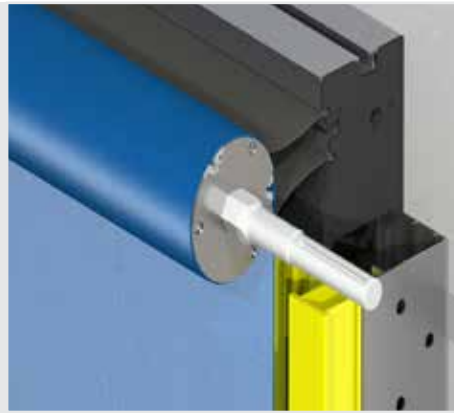
Control and drive system

MCC VectorControl™	Variable frequency drive with soft start / soft stop and positioning encoder. 24V DC, cUL listed
Input Voltage	208-240 V, 440-480 V, 575-600 V
Motor	Up to 3.0Hp, 3 phase, 50/60 Hz
Limits Adjustment	At keypad interface
Protection	NEMA 4

Wind resistance

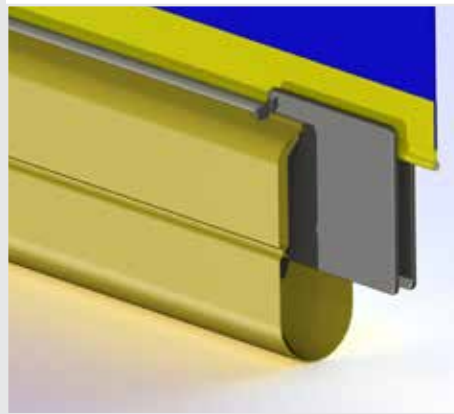
Wind Rib Reinforcement	1.5" aluminum profiles
For High Wind Applications	4" high strength aluminum profiles
Wind Rating	Wind Class 2

We offer various options and actuation devices for all high-performance door products



Double weather seals

Top frame and side frames seal when door is closed, reducing energy loss and maintaining climate control.



Breakaway soft bottom bar

Soft, breakaway bottom bar automatically repairs itself after accidental impact and protects against injuries.



Light curtain

Smart safety system eliminates contact with objects in doorway.



Entrematic offers a comprehensive range of products for industrial, commercial, institutional and residential applications, including sectional doors, loading dock equipment, high-performance doors, residential garage doors, pedestrian door automation and openers. Built on nearly 200 years of accumulated expertise, Entrematic is the preferred partner of distributors and the number one choice of end user customers, providing innovative products, technical expertise and a portfolio of industry-leading brands including Amarr, Kelley, Serco, Dynaco, Ditec and Albany. Entrematic, Amarr, Kelly, Serco, Normstahl, Dynaco, Ditec, Albany and EM, as words and logotypes, are examples of trademarks owned by Entrematic Group AB or companies within the Entrematic Group.

The Albany products are protected by worldwide registered patents. As part of its policy of continuous product development, Entrematic reserves the right to change the characteristics of its products or components without prior notice. Disclaimers: For a correct use of our products, please refer to our manual. Everything that is mentioned in this brochure is only valid under the terms of use in the user manual and on condition that the door was properly installed and maintained and has not undergone abuse nor neglect.

© Entrematic Group AB, 2018 Technical data subject to change without notice.

Albany Doors
Tel: 1-800-252-2691
info.us.albany@entrematic.com
albanydoors.us • albanydoors.ca

ENTRE//MATIC

